



Fresh Water
Waste Water
Consulting

Solution for your campsite

Energy-Columns



Energy Columns

Many motorhomes/campervans/caravans require an external power source for stationary use. As your Full-Service-Partner, we not only offer you the Sani-Station for freshwater supply and grey/black water disposal, but also energy columns with slot machines to supply electricity.

Safe and controlled supply of energy to the motorhome/campervan or caravan.



This German designed and engineered station is used extensively in Europe where it is welcomed by the self contained traveller and profited from by the towns and villages where it is installed.

Benefits to the Motorhome/ Campervan/Caravan Traveller

- A safe means of powering or charging
- Knowledge that the people in the community value your presence

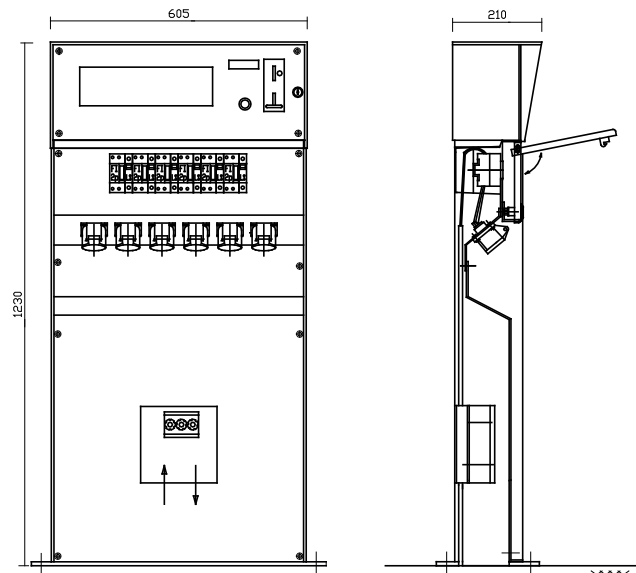
Benefits for the Community

- Financial benefits of bringing people into the community
- Increased tourist potential
- Greater respect for community resources
- Get on the motorhome/campervan/caravan "Friendly Town List"
- Better class of tourist

Types of Energy Columns

These energy columns are available in different versions. We offer columns with either four or six power outlets. You can also choose between two charging methods. Your charging fee can either be based on:

1. The amount of time energy is supplied, or
2. The amount of energy consumed in kWh.



The charging method does not affect the way in which the energy column works.

Use of the Energy Column

A vacant power outlet is chosen by pressing a button on the display. The meter indicates a fixed amount of time or kWh, depending on the amount of coins/tokens inserted into the machine. As the operator, you can determine the amount you charge for the supply of energy.

Energy Columns with Time-Based Fees 4-6 Power Outlets

A free power outlet is chosen (1-4 or 1-6). A coin is then inserted into the slot machine. Electricity is then released from the outlet. The energy column is made of stainless steel and must be mounted on a concrete foundation.

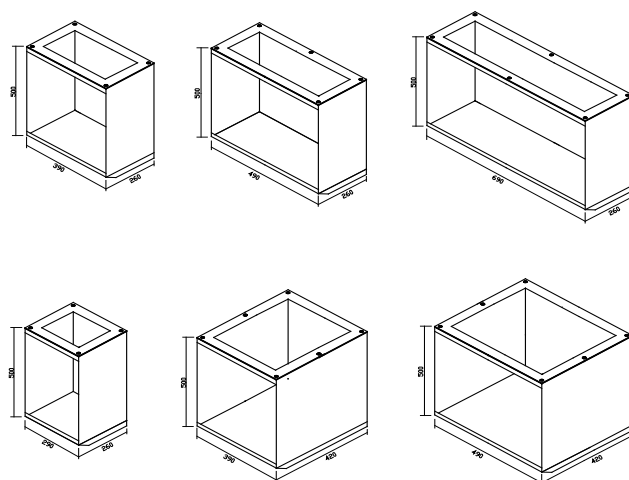


Specifications:

- 1 slot machine with a display
- 4/6 three-phase power outlets 3/16 A 230 V/6 h with a miniature circuit breaker (MCB) and a residual current circuit breaker (RCCB)

Energy Columns with kWh-Based Fees 4-6 Power Outlets

A free power outlet is chosen (1-4 or 1-6). A coin is then inserted into the slot machine. Electricity is then released from the outlet. The energy column is made of stainless steel and must be mounted on a concrete foundation.



Specifications:

- 1 slot machine with a display
- 4/6 electric kWh meters
- 4/6 three-phase power outlets 3/16 A 230 V/6 h with a miniature circuit breaker (MCB) and a residual current circuit breaker (RCCB)

Locating the Energy Column

- At a reserve or camp site
- At a daytime stopping point
- In a car park where appropriate
- At a Motorhome/Campervan/Caravan Park



L.A.S.-GmbH

Metallverarbeitung Löhmann
Osemundstraße 19
58636 Iserlohn

Sitz der Gesellschaft: Iserlohn HRB 1922
Geschäftsführer: Uwe Löhmann
USt-ID-NR.: DE 177120155

Telefon: 0 23 71 / 96 30 80
Telefax: 0 23 71 / 96 30 81
E-Mail: marianne.loehmann@las-gmbh.de
Internet: www.sani-station.de

